

HYNC – Blade Property of Newton’s 3rd Law forces

Theory: At meanwhile, operating any splitter to cut nuts will be caused by torque force as this unavoidable force depended on the cutting point against the nut, if the cutting point is not in propose of the blades to be vertical cutting the nut, obviously the nut will be cracked against the torque force and reaction force will feed back to chisel which is the main reason of the blade cracked after cutting by the force feedback at maximum 10,000psi. Please refer to the figures as the Newton’s 3rd law of forces.

Fig. 1
Newton's Third Law of action

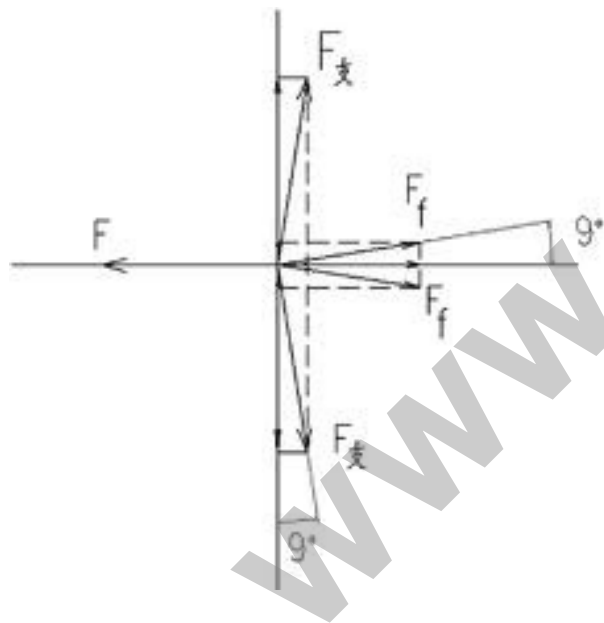
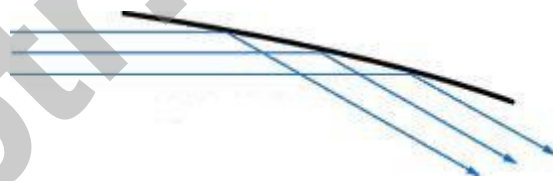


Fig.2
Torque Force Feed back.



KuDos Mechanical Co.,Ltd.

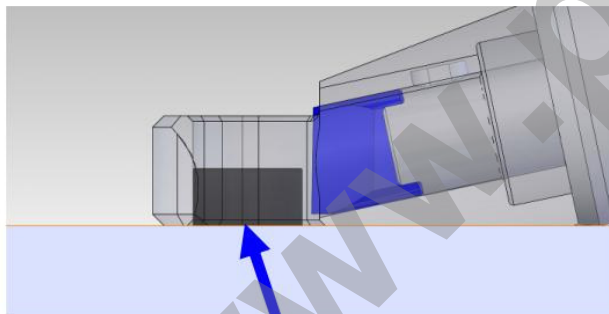
No. 151, Sec.1, Pei-Shen Road,
Shen-Keng District, New Taipei City 22246, Taiwan.
Tel: 886-2-2662-7367
Fax:886-2-2662-7882~3

KuDos[®]
Your Forever Working Partner.

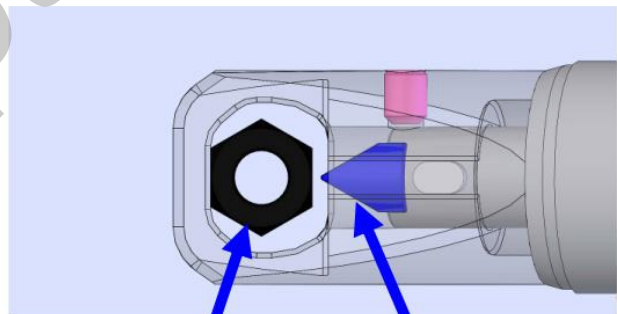
EXPLAIN OF NEWTON'S THIRD LAW OF ACTION & REACTION FORCES



Placed in position

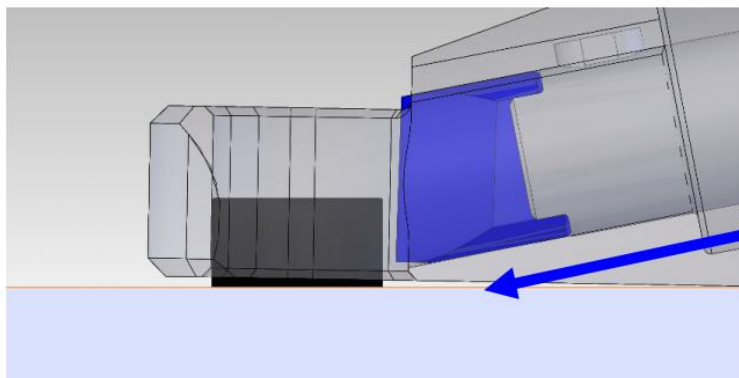


Flat with the Nut



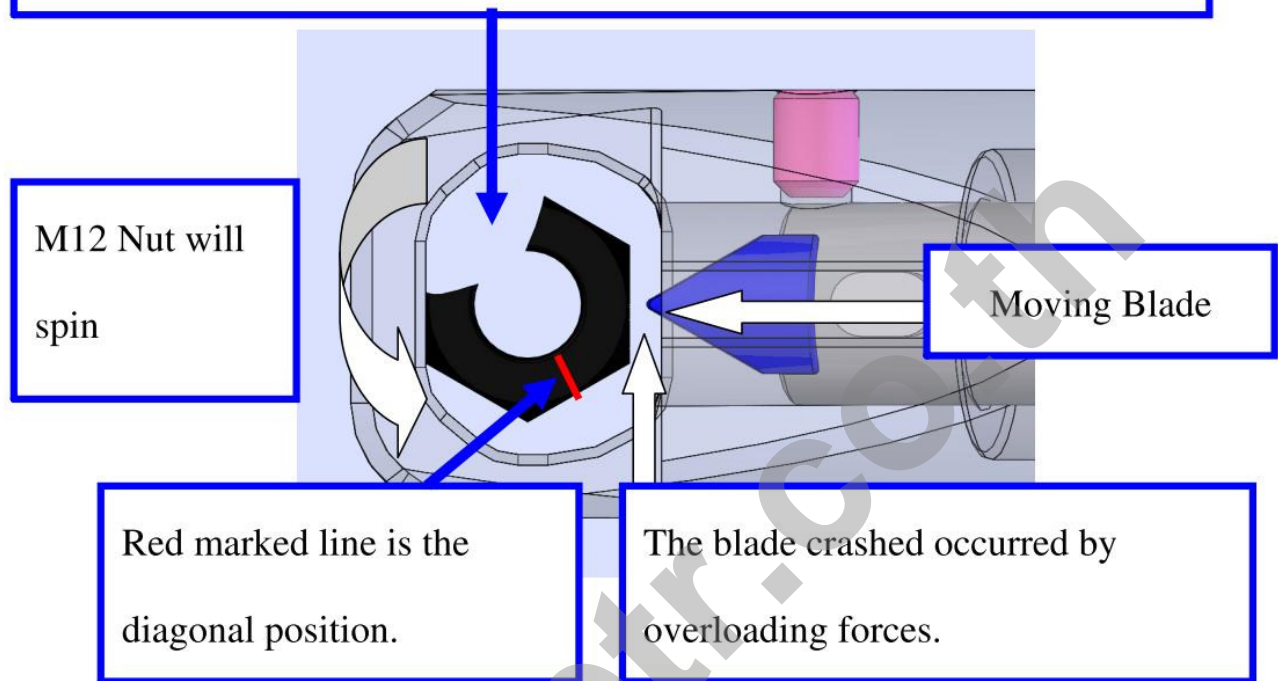
M12 Nut

Blade



If not in proper position as image, the nut won't separate.

If the nut had gap occurred , the splitter used to be operated by diagonal cut or the blade will be crashed.



Below is the image of the crashed blades :



Conclusion : The blade crashed occurred by overloading forces, when using should confirm the nut as flat into jaw of splitter and operated by diagonal position.