

FI26 Flange Facing Machine

4.73"-26"(120-660mm)

Features

Internally Mounted

Light weight & Rigidity Body 7075 Alu.

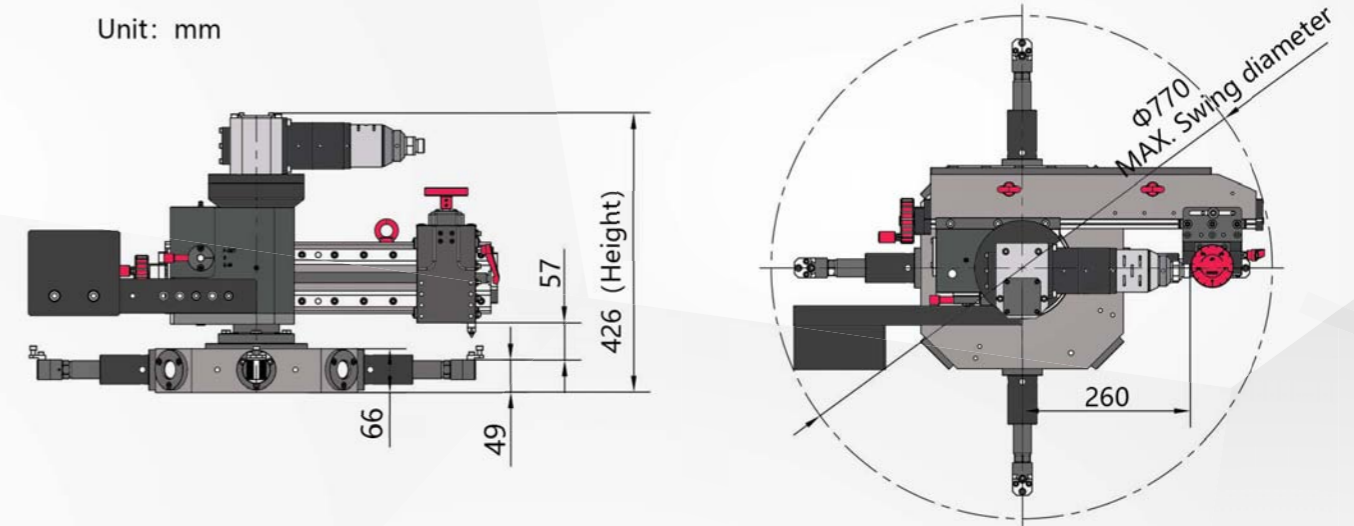
Swivel Tool Post

Portable, durable steel case



Dimension Figure

Unit: mm



Standard Supply

Main Body-c/w Motor	Full set Clamping Screws
Self-Centering Base	Axial feed mechanism
S-Base	Horizontal adjustment set
L-Base	Full set hand tool
Tool	Air motor lubricating oil
Extension Tool holder	Air Filter Lubricator-SMC
Cutting tips - 5 pcs	Hose connection
RTJ Tools - 3 pcs	Full set clamps
Counterweight	Dia Gauge
Counterweight plate	Storage / Shipping case
Extension nut	Manual

Application



Specifications

Driven	Pneumatic	Electric-Servo
Model	FI26P	FI26E
Min. Facing Dia.	120mm / 4.73"	
Max. Facing Dia.	660mm / 26"	
Min. Clamping Dia.	90mm / 3.55"	
Max. Clamping Dia.	660mm / 26"	
Tool Post Travel	50mm / 1.97"	
R.P.M	Max.45	Max.42
Driven	Pneumatic	Servo Motor-Panasonic
Air Supply	900-1000L/Min@0.6Mpa	220-240V 1PH 50/60HZ
Motor Power	1.47HP	1.0Kw
Machine Weight	106 Kgs	120 Kgs
Shipping Weight	161 kgs	177 kgs
Shipping Dimensions	1160x600x500mm	

Facing Feed Rate

Fine	0.125mm	0.005"
Coarse	0.5mm	0.02"