

■ Model No. **HYSC-32HE**

Length : 300 mm

Weight : 9.0 kgs

■ Specifications:

Max. Pressure : 700 bar

Oil Required : 135 cc

Max. Output : 28.12 tons / 250.2 kN

■ Cutting Capacity:

Wire rope 6x7 : 32 mm

Wire rope 6x12 : 32 mm

Wire rope 6x19 : 32 mm

Soft steel bar : 25 mm

Reinforcing rod : 25 mm

Cu strands : 32 mm

Al strands : 32 mm

ACSR : 32 mm

Guy wire 1x7 : 32 mm

Guy wire 1x19 : 32 mm

Soft copper bar : 32 mm

Soft aluminum bar : 32 mm

Underground cable : 32 mm

Cutting of plano wire is prohibited.

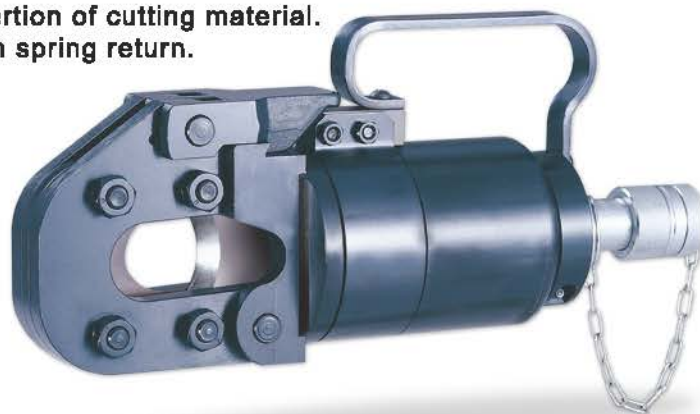


■ Features:

- Functional handle for convenient operation.
- Fast cutting with remote operation.
- Operated any hydraulic pump with rated oil pressure of 700 bar(10,000psi).
- Single action piston/cylinder arrangement.
- Blades are easily replaceable.
- Flip-top latch for easy insertion of cutting material.
- Single action cylinder with spring return.

■ Accessories:

Carrying Bag



HYSC-32HE #13	Moving Blade
HYSC-32HE #2	Fixed Blade



CUTTERS

■ Model No. **HYSC-45HE**

Length : 346 mm

Weight : 4.4 kgs

■ Specifications:

Max. Pressure : 700 bar

Oil Required : 72 cc

Max. Output : 10.73 tons / 95.5 kN

■ Cutting Capacity:

Wire rope 6x7 : 20 mm

Wire rope 6x12 : 25 mm

Wire rope 6x19 : 25 mm

Soft copper bar : 32 mm

Soft aluminum bar : 40 mm

Soft steel bar : 20 mm

Cu strands : 40 mm

Al strands : 40 mm

ACSR : 40 mm

Cutting of plano wire is prohibited.

■ Features:

- Fast cutting with remote operation.
- Operated any hydraulic pump with rated oil pressure of 700 bar(10,000psi).
- Blades are easily replaceable.
- Flip-top latch for easy insertion of cutting material.

■ Accessories:

Carrying Bag



HYSC-45HE #15	Moving Blade
HYSC-45HE #10	Fixed Blade



■ Model No. **S-55HE**

Length : 365 mm

Weight : 7.1 kgs

■ Specifications:

Max. Pressure : 700 bar

Oil Required : 107 cc

Max. Output : 14.01 tons / 124.6 kN

■ Cutting Capacity:

Wire rope 6x7 : 25 mm

Wire rope 6x12 : 30 mm

Wire rope 6x19 : 30 mm

Soft copper bar : 35 mm

Soft aluminum bar : 28 mm

Soft steel bar : 22 mm

Reinforcing rod : 19 mm

Cu strands : 54 mm

Al strands : 54 mm

ACSR : 54 mm

Guy wire 1x7 : 15 mm

Guy wire 1x19 : 20 mm

Underground cable : 50 mm

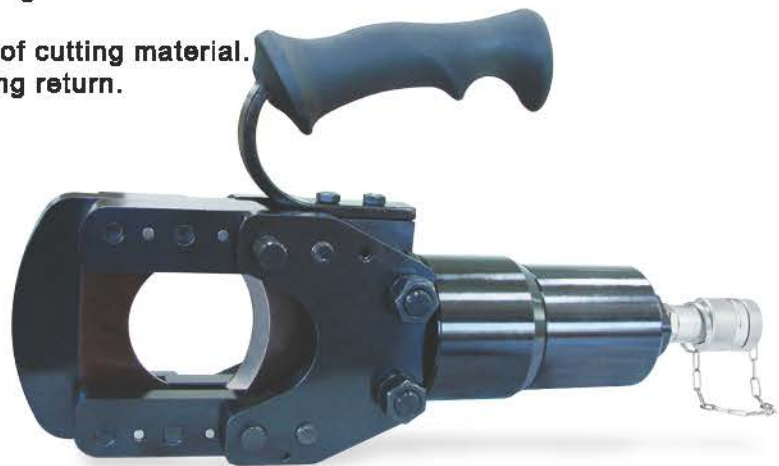
Cutting of piano wire is prohibited.

■ Features:

- Fast cutting with remote operation.
- Operated any hydraulic pump with rated oil pressure of 700bar (10,000 psi).
- Single action piston/cylinder arrangement.
- Blades are easily replaceable.
- Flip-top latch for easy insertion of cutting material.
- Single action cylinder with spring return.

■ Accessories:

Carrying Bag



S-55HE #9	Moving Blade
S-55HE #26	Fixed Blade

